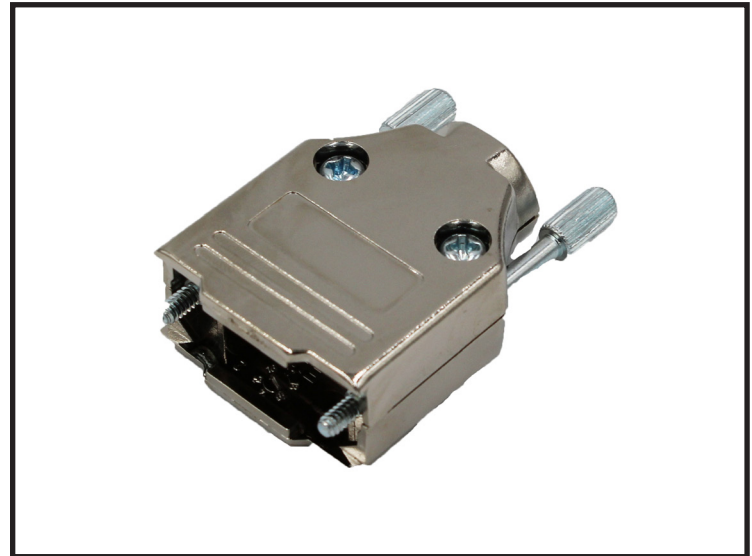
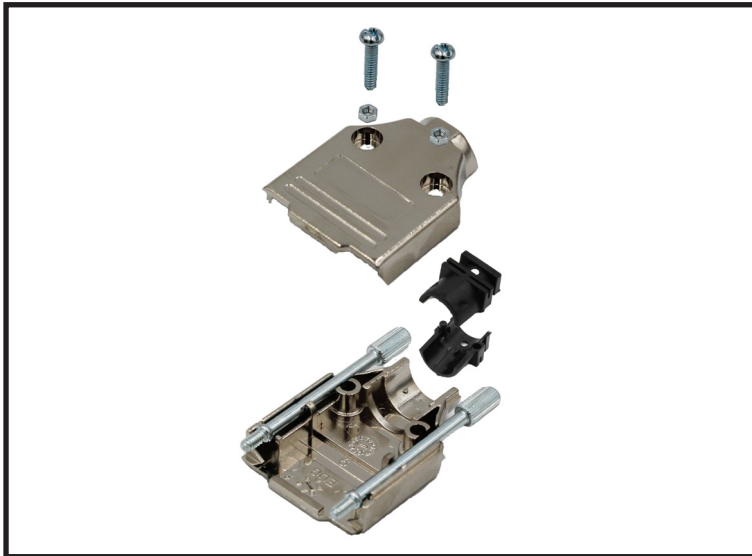


# MHDTPK Series | Metalised Plastic D-Sub Hood



## Description

- Available in 9,15, 25 or 37 way
- Re-openable
- Cable entry, Top entry,
- Operating Temperature, -55°C to 110°C
- Will accommodate up to 13mm diameter cable
- Cable clamp is secured with 2 screws
- 4-40UNC Jackscrews

## The Kit Contains:

- |                       |     |
|-----------------------|-----|
| Backshell halves      | x 2 |
| 4-40 Jackscrews       | x 2 |
| Plastic cable inserts | x 2 |
| Backshell screws      | x 2 |

## Specification

- Ways: 9, 15, 25 or 37
- Housing Material: Polyamide UL- Recognised
- Cable Entry: Straight, 90°
- Cable OD: Up to 13mm

Dimensions			
Size	A	B	C
09	31.2	39.9	15.0
15	39.5	41.5	15.0
25	53.4	48.6	15.0
37	69.7	53.6	15.0

