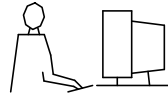
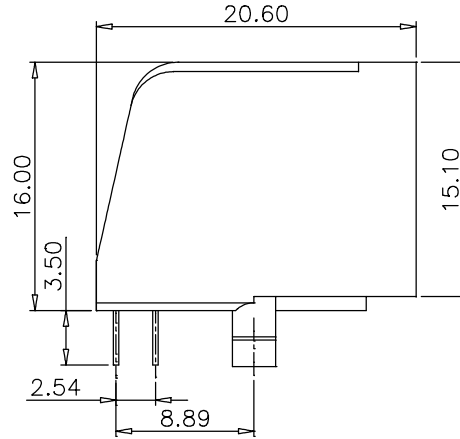
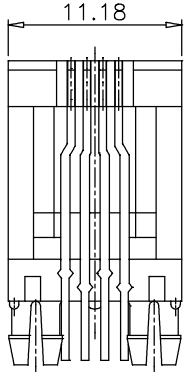


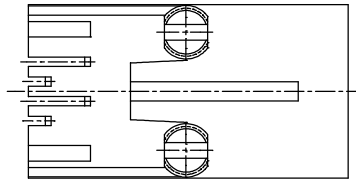
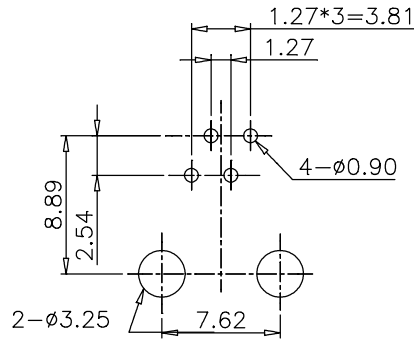
THIS IS A C.A.D. GENERATED DRAWING
DO NOT MAKE MANUAL REVISIONS TO MASTER.



* UNLESS OTHERWISE SPECIFIED TOLERANCES
ON DECIMAL IS: ANGLE $\pm 3^\circ$
UNIT: MM X ± 0.50
.X ± 0.38
.XX ± 0.25
.XXX ± 0.10



PCB LAYOUT/TOP VIEW



MATERIALS:

1. PLASTIC HOUSING: ENGINEERING THERMOPLASTIC FLAMMABILITY RATING UL 94V-0
2. CONTACTS: PHOSPHOR BRONZE
3. PLATING: GOLD PLATING OVER NICKEL IN CONTACT
TIN PLATING OVER NICKEL IN SOLDER AREA

THESE DRAWINGS AND SPECIFICATIONS ARE THE PROPERTY OF MH CONNECTORS LTD. AND SHALL NOT BE REPRODUCED, COPIED OR USED AS THE BASIS FOR THE MANUFACTURE OR SALE OF APPARATUS WITHOUT WRITTEN PERMISSION.

DRAWN JOHNNY		DATE 03-18-13
APPROVED DAMIEN		DATE 03-19-13
SCALE	SHEET OF 1 OF 1	REV: 2.0
DRAWING No MHRJJ44NFRA		



THIS SERIES FULLY CONFORMS TO THE EUROPEAN UNION DIRECTIVES 2002/95/EC AND 2002/96/EC FOR RoHS COMPLIANCY.

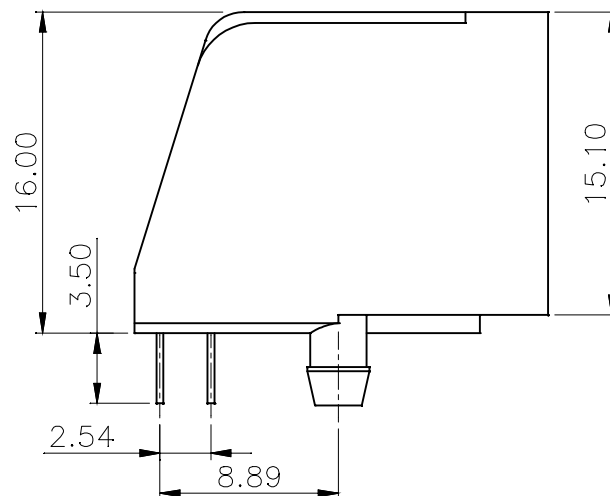
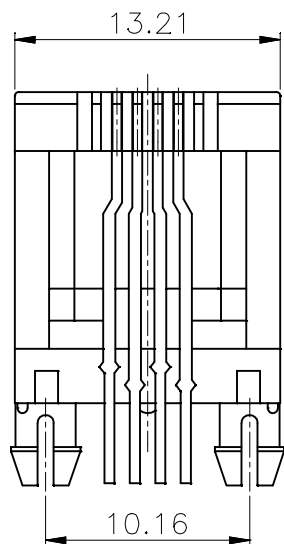


MH CONNECTORS LTD.

THIS IS A C.A.D. GENERATED DRAWING
DO NOT MAKE MANUAL REVISIONS TO MASTER.



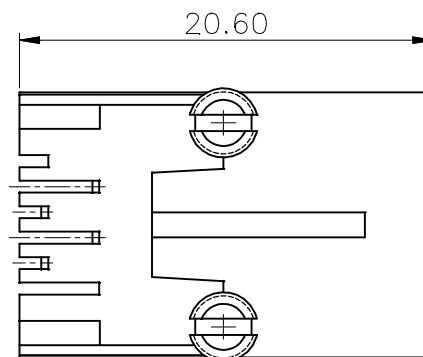
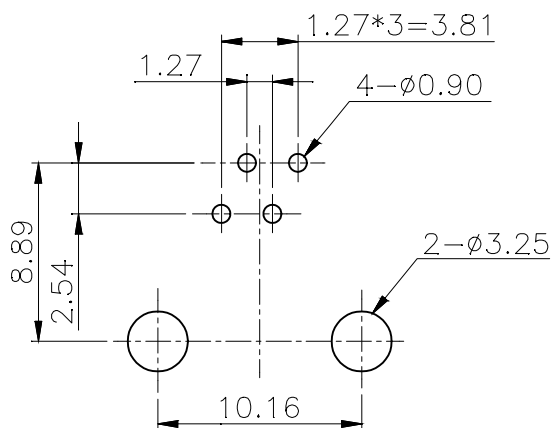
* UNLESS OTHERWISE SPECIFIED TOLERANCES
ON DECIMAL IS: ANGLE ±3°
UNIT: MM X ±0.50
X.X ±0.38
X.XX ±0.25
X.XXX ±0.10



Ordering information:

Type	P/N-BULK	Product Code
6P4C-RA-Unshielded	2101-0100-14	MHRJJ64NFRA

PCB LAYOUT/TOP VIEW



1 MATERIALS:

- 1.1 PLASTIC HOUSING:
ENGINEERING THERMOPLASTIC
FLAMMABILITY RATING UL 94V-0.
- 1.2 CONTACTS: PHOSPHOR BRONZE.
- 1.3 PLATING:
GOLD PLATING OVER NICKEL IN CONTACT.
TIN PLATING OVER NICKEL IN SOLDER AREA.

THESE DRAWINGS AND SPECIFICATIONS ARE THE PROPERTY OF MH CONNECTORS LTD. AND SHALL NOT BE REPRODUCED, COPIED OR USED AS THE BASIS FOR THE MANUFACTURE OR SALE OF APPARATUS WITHOUT WRITTEN PERMISSION.

DRAWN	DATE
HALEY	11-21-13

APPROVED	DATE
DAMIEN	11-22-13

SCALE	SHEET OF	REV:
	1 OF 1	2.0

DRAWING No
MHRJJ64NFRA



THIS SERIES FULLY CONFORMS TO THE EUROPEAN UNION DIRECTIVES 2002/95/EC AND 2002/96/EC FOR RoHS COMPLIANCY.



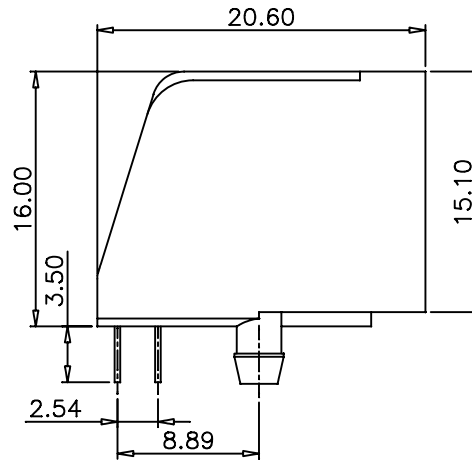
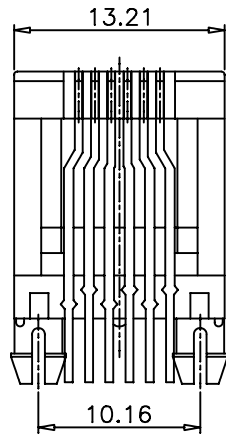
MH CONNECTORS LTD.

THIS IS A C.A.D. GENERATED DRAWING
DO NOT MAKE MANUAL REVISIONS TO MASTER.

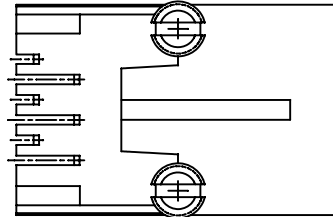
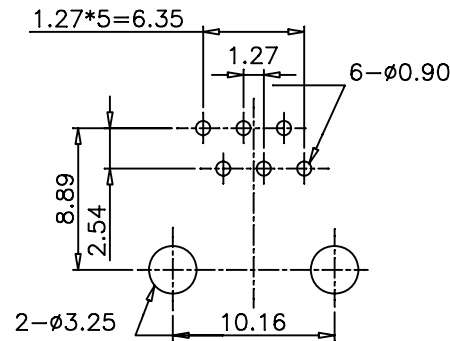


* UNLESS OTHERWISE SPECIFIED TOLERANCES
ON DECIMAL IS: ANGLE $\pm 3^\circ$

UNIT: MM
X ± 0.50
.X ± 0.38
.XX ± 0.25
.XXX ± 0.10



PCB LAYOUT/TOP VIEW



MATERIALS:

1. PLASTIC HOUSING: ENGINEERING THERMOPLASTIC FLAMMABILITY RATING UL 94V-0
2. CONTACTS: PHOSPHOR BRONZE
3. PLATING: GOLD PLATING OVER NICKEL IN CONTACT
TIN PLATING OVER NICKEL IN SOLDER AREA

THESE DRAWINGS AND SPECIFICATIONS ARE THE PROPERTY OF MH CONNECTORS LTD. AND SHALL NOT BE REPRODUCED, COPIED OR USED AS THE BASIS FOR THE MANUFACTURE OR SALE OF APPARATUS WITHOUT WRITTEN PERMISSION.

DRAWN Johnny		DATE 03-15-13	
APPROVED		DATE	
SCALE	SHEET OF 1 OF 1	REV: 1.0	
DRAWING No MHRJJ66NFRA			

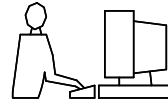


THIS SERIES FULLY CONFORMS TO THE EUROPEAN UNION DIRECTIVES 2002/95/EC AND 2002/96/EC FOR RoHS COMPLIANCY.

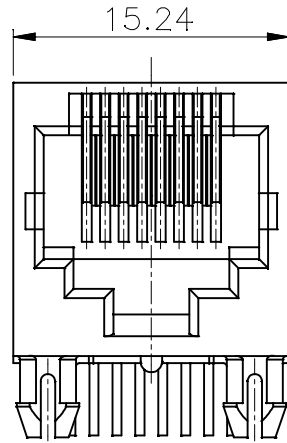


MH CONNECTORS LTD.

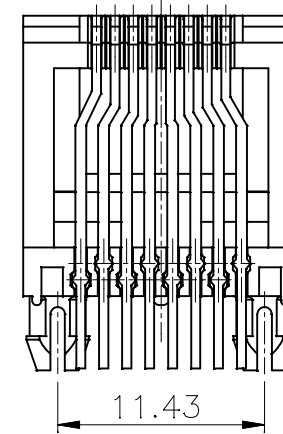
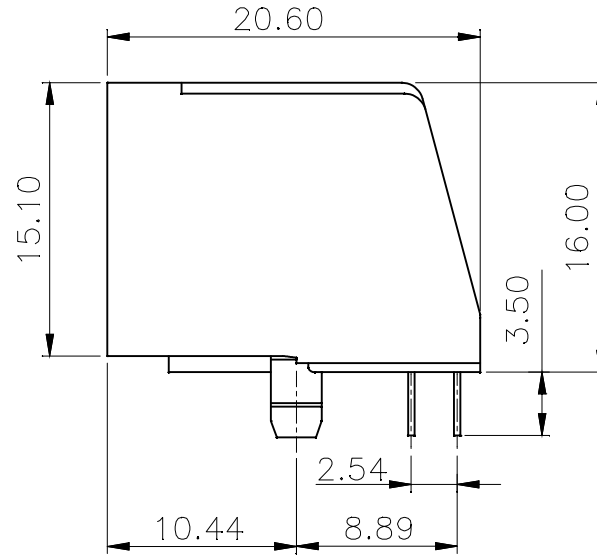
THIS IS A C.A.D. GENERATED DRAWING
DO NOT MAKE MANUAL REVISIONS TO MASTER.



* UNLESS OTHERWISE SPECIFIED TOLERANCES
ON DECIMAL IS: ANGLE $\pm 3^\circ$
UNIT: MM X ± 0.50
X.X ± 0.38
X.XX ± 0.25
X.XXX ± 0.10

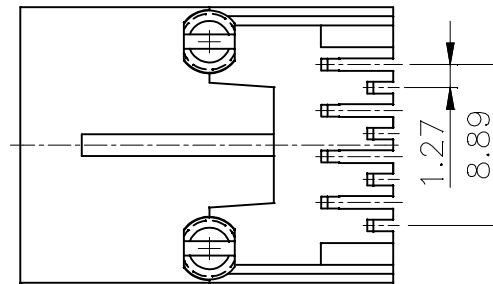
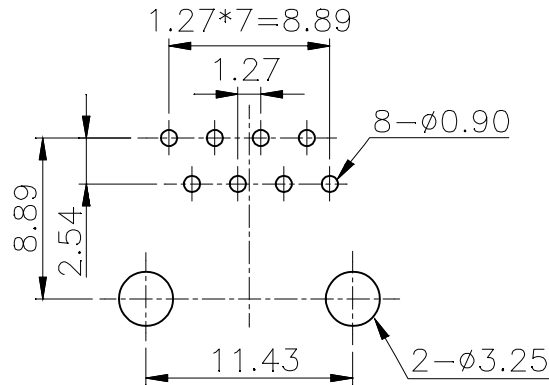


PCB LAYOUT/TOP VIEW



Ordering information:

Type	P/N-BULK	Product Code
8P8C-RA-Unshielded	2101-0100-13	MHRJJ88NFRA



1. MATERIALS:

- 1.1 PLASTIC HOUSING:
ENGINEERING THERMOPLASTIC
FLAMMABILITY RATING UL 94V-0.
- 1.2 CONTACTS: PHOSPHOR BRONZE.
- 1.3 PLATING:
GOLD PLATING OVER NICKEL IN CONTACT.
TIN PLATING OVER NICKEL IN SOLDER AREA.

THESE DRAWINGS AND SPECIFICATIONS ARE THE PROPERTY OF MH CONNECTORS LTD. AND SHALL NOT BE REPRODUCED, COPIED OR USED AS THE BASIS FOR THE MANUFACTURE OR SALE OF APPARATUS WITHOUT WRITTEN PERMISSION.

DRAWN HALEY		DATE 11-21-13
APPROVED		DATE
SCALE	SHEET OF 1 OF 1	REV: 1.0
DRAWING No MHRJJ88NFRA		

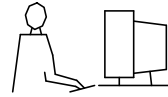


THIS SERIES FULLY CONFORMS TO THE EUROPEAN UNION DIRECTIVES 2002/95/EC AND 2002/96/EC FOR RoHS COMPLIANCY.

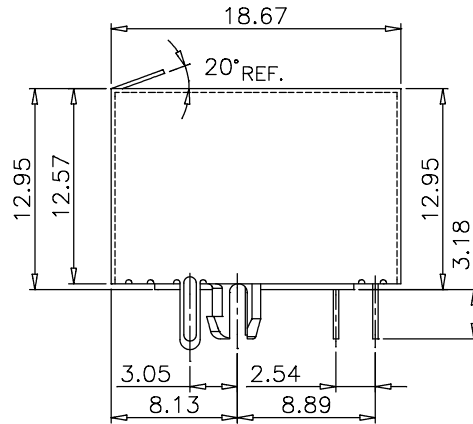
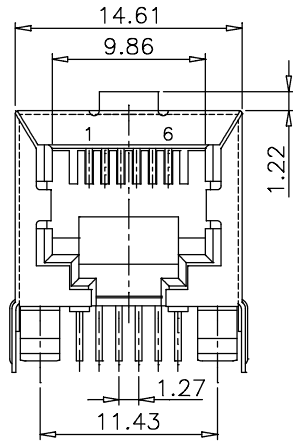


MH CONNECTORS LTD.

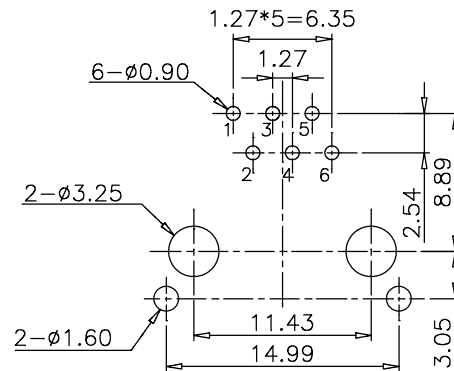
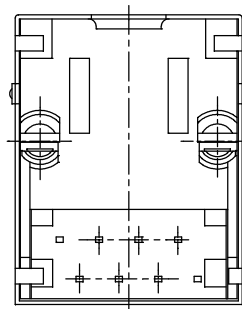
THIS IS A C.A.D. GENERATED DRAWING
DO NOT MAKE MANUAL REVISIONS TO MASTER.



* UNLESS OTHERWISE SPECIFIED TOLERANCES
ON DECIMAL IS: ANGLE ± 3°
UNIT: MM X ±0.50
.X ±0.38
.XX ±0.25
.XXX ±0.10



PCB LAYOUT/TOP VIEW



MATERIALS:

1. PLASTIC HOUSING: ENGINEERING THERMOPLASTIC FLAMMABILITY RATING UL 94V-0
2. CONTACTS: PHOSPHOR BRONZE
3. PLATING: GOLD PLATING OVER NICKEL IN CONTACT
TIN PLATING OVER NICKEL IN SOLDER AREA
4. SHIELDED: BRASS WITH NICKEL PLATED

THESE DRAWINGS AND SPECIFICATIONS ARE THE PROPERTY OF MH CONNECTORS LTD. AND SHALL NOT BE REPRODUCED, COPIED OR USED AS THE BASIS FOR THE MANUFACTURE OR SALE OF APPARATUS WITHOUT WRITTEN PERMISSION.

DRAWN JOHNNY	DATE 03-18-13
-----------------	------------------

APPROVED DAMIEN	DATE 03-19-13
--------------------	------------------

SCALE	SHEET OF 1 OF 1	REV: 2.0
-------	--------------------	-------------

DRAWING No MHRJJ66NFRAS

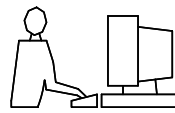


THIS SERIES FULLY CONFORMS TO THE EUROPEAN UNION DIRECTIVES 2002/95/EC AND 2002/96/EC FOR RoHS COMPLIANCY.

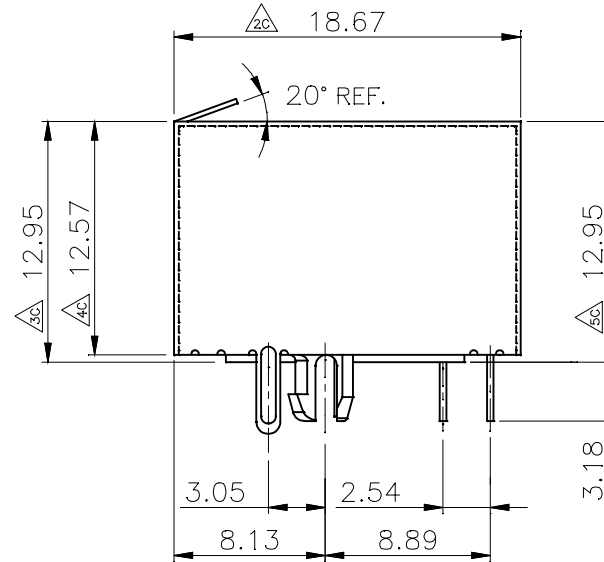
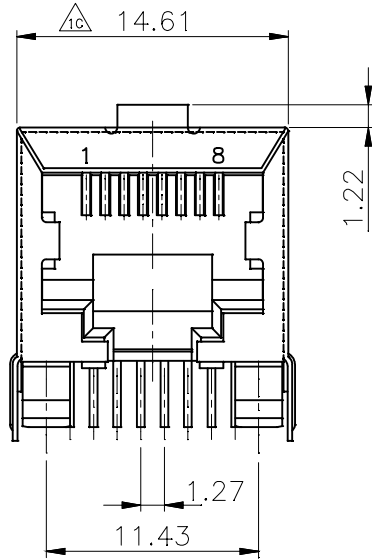


MH CONNECTORS LTD.

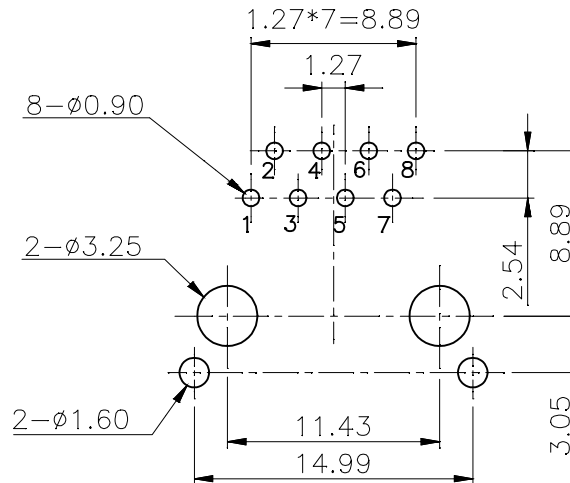
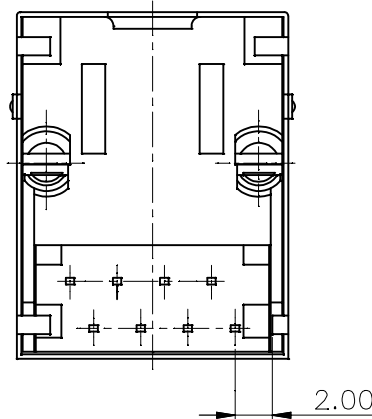
THIS IS A C.A.D. GENERATED DRAWING
DO NOT MAKE MANUAL REVISIONS TO MASTER.



* UNLESS OTHERWISE SPECIFIED TOLERANCES
ON DECIMAL IS: ANGLE ± 3°
UNIT: MM x ±0.50
.x ±0.38
.xx ±0.25
.xxx ±0.10



PCB LAYOUT/TOP VIEW



MATERIALS:
PLASTIC HOUSING: ENGINEERING THERMOPLASTIC
FLAMMABILITY RATING UL 94V-0.
CONTACTS: PHOSPHOR BRONZE.
PLATING: GOLD PLATING OVER NICKEL IN CONTACT.
TIN PLATING OVER NICKEL IN SOLDER AREA.
SHIELDED: BRASS WITH NICKEL PLATED.

Ordering information:		
Type:	P/N-BULK:	Product Code:
8P8C-RA-Shielded	2101-0100-03	MHRJJ-88NF-RA-S

THESE DRAWINGS AND SPECIFICATIONS ARE THE PROPERTY OF MH CONNECTORS LTD. AND SHALL NOT BE REPRODUCED, COPIED OR USED AS THE BASIS FOR THE MANUFACTURE OR SALE OF APPARATUS WITHOUT WRITTEN PERMISSION.

DRAWN HALEY	DATE 09-13-13
----------------	------------------

APPROVED DAMIEN	DATE 09-14-13
--------------------	------------------

SCALE	SHEET OF 1 OF 1	REV: 2.0
-------	--------------------	-------------

DRAWING No MHRJJ88NFRAS



THIS SERIES FULLY CONFORMS TO THE EUROPEAN UNION DIRECTIVES 2002/95/EC AND 2002/96/EC FOR RoHS COMPLIANCY.



MH CONNECTORS LTD.