

THIS IS A C.A.D. GENERATED DRAWING
DO NOT MAKE MANUAL REVISIONS TO MASTER.



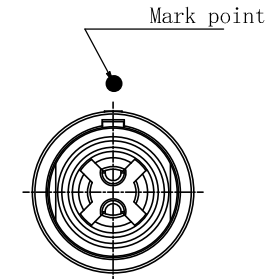
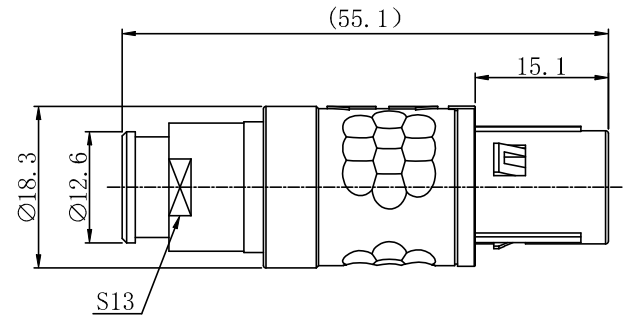
UNLESS OTHERWISE SPECIFIED TOLERANCES
ON DECIMAL IS: ANGLE
UNIT: MM X.
X.X

1) Product main performance:

Operating Temperature : -55°C ~ 150°C
Humidity(max) : <=95% [at 60 deg C / 140 F]

Mechanical data:
Vibration: 15g [10Hz ~ 2000Hz]
Endurance (Shell): 1000+

Other Specification:
Contact PIN: Gold plated Tin bronze
Housing Material: PSU
Other Shell Materia: PSU
Insulator material: PPS
IP Rating: IP50
*ALL MATERIALS ARE RoHS COMPLIANT



Pin Configuration	02	03	04	05	06	07	08
Pin Number							
Pin Size (mm)	2.0	1.6	1.3	1.3	1.3	1.3	0.9
Withstand voltage (V) (AC)	2100	2400	1850	1750	1350	1750	1500
Rated Current (A)	30.0	17.0	15.0	14.0	12.0	11.0	10.0
Insulation resistance (MΩ)	≥5000MΩ (500V (DC))						
R (max) (mΩ)	≤3.5	≤4	≤5	≤5	≤5	≤5	≤9
AWG (max) Stranded Wire	16	16	20	20	20	20	24

MHCP2PxxPSxxS

Pin Configuration — Cable code

Cable code (mm)	Cable diameter (mm)	
	Min	Maxi
50	3.2	5.2
70	5.3	7.2
90	7.3	9.2

THESE DRAWINGS AND SPECIFICATIONS ARE THE PROPERTY OF MH CONNECTORS AND SHALL NOT BE REPRODUCED, COPIED OR USED AS THE BASIS FOR THE MANUFACTURE OR SALE OF APPARATUS WITHOUT WRITTEN PERMISSION.

DRAWN E.P. DATE 23-10-23

APPROVED S.R. DATE 23-10-23

SCALE NA SHEET OF 1 OF 2 REV: 2

DRAWING No MHCP2PxxPSxxS



THIS SERIES FULLY CONFORMS TO THE EUROPEAN UNION DIRECTIVES 2015/863/EU AND 2011/65/EU FOR RoHS COMPLIANCY.



MH CONNECTORS,
DIVISION OF EDAC

THIS IS A C.A.D. GENERATED DRAWING
DO NOT MAKE MANUAL REVISIONS TO MASTER.



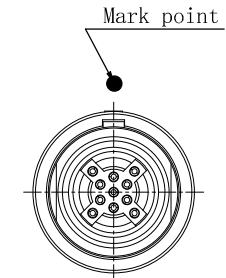
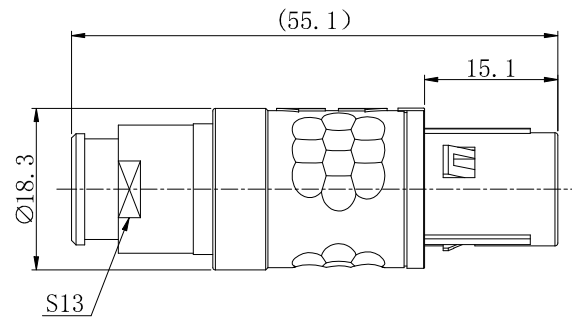
UNLESS OTHERWISE SPECIFIED TOLERANCES
ON DECIMAL IS: ANGLE
UNIT: MM X.
X.X

1) Product main performance:

Operating Temperature: -55°C~150°C
Humidity(max): <=95% [at 60 deg C / 140 F]
Salt Spray Corrosion: 96hr

Mechanical data:
Vibration: 15g[10Hz~2000Hz]
Endurance (Shell): 1000+

Other Specification:
Contact PIN: Gold plated Tin bronze
Housing Material: PSU
Other Shell Material: PSU
Insulator material: PPS
IP Rating: IP50
*ALL MATERIALS ARE RoHS COMPLIANT



MHCP2PxxPSxxS

Pin Configuration — Cable code

Pin Configuration	10	12	16	19	26	32	34
Pin Number							
Pin Size (mm)	0.9	0.7	0.7	0.7	0.5	0.5	0.5
Withstand voltage (V) (AC)	1450	1250	1500	1400	1000	700	700
Rated Current (A)	8.0	7.0	6.0	5.0	2.0	1.5	1.5
Insulation resistance (MΩ)	≥5000MΩ (500V (DC))						
R (max) (mΩ)	≤9	≤12.5	≤12.5	≤12.5	≤15	≤15	≤15
AWG (max) Stranded Wire	24	26	26	26	28	28	28

Cable code (mm)	Cable diameter (mm)	
	Min	Maxi
50	3.2	5.2
70	5.3	7.2
90	7.3	9.2

THESE DRAWINGS AND SPECIFICATIONS ARE THE PROPERTY OF MH CONNECTORS AND SHALL NOT BE REPRODUCED, COPIED OR USED AS THE BASIS FOR THE MANUFACTURE OR SALE OF APPARATUS WITHOUT WRITTEN PERMISSION.

DRAWN E.P. DATE 23-10-23

APPROVED S.R. DATE 23-10-23

SCALE NA SHEET OF 2 OF 2 REV: 2

DRAWING No MHCP2PxxPSxxS



THIS SERIES FULLY CONFORMS TO THE EUROPEAN UNION DIRECTIVES 2015/863/EU AND 2011/65/EU FOR RoHS COMPLIANCY.



MH CONNECTORS,
DIVISION OF EDAC